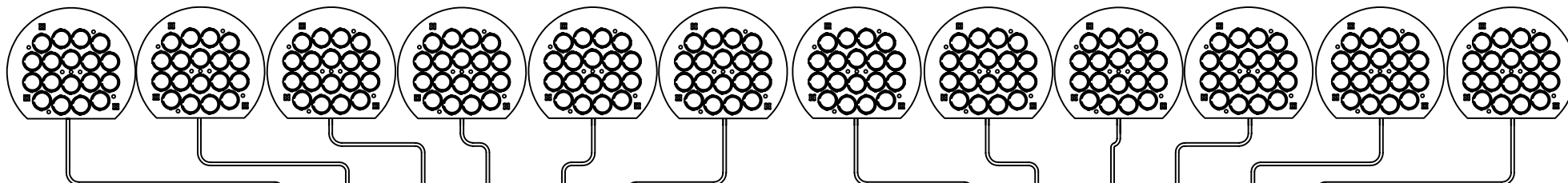
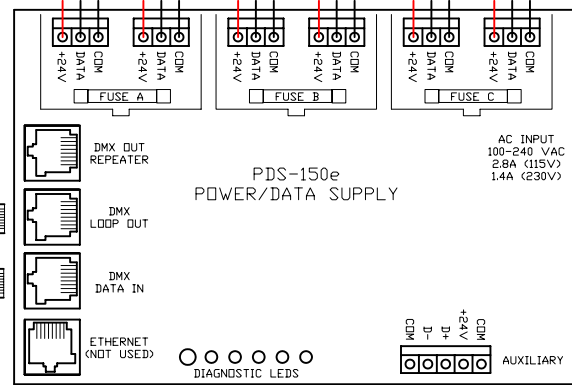
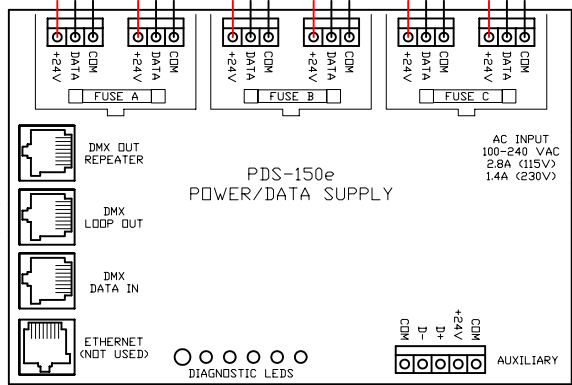


DLE C-101
(MAX. 6 PER PDS-150e)



NOTES:
 - USE 3 CONDUCTOR, 14-18AWG LEAD CABLES OUT TO EACH DLE (PROVIDED BY OTHERS).
 - MAX. DISTANCE FROM PDS-150e TO DLE = 60' (INCL. FIX. LEADS)



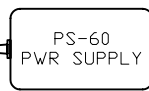
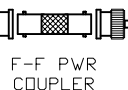
CAT 5/RJ45 DATA CABLE
(UTP 24 AWG 4 PAIR)

CAT 5/RJ45 DATA CABLE
(UTP 24 AWG 4 PAIR)

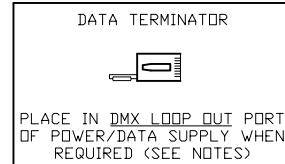
CONTINUE DMX OUT/IN SEQUENCE TO INCLUDE ALL PWR/DATA SUPPLIES, THEN TERMINATE THE LAST UNIT (SEE BELOW)

6' FLYING LEAD/RJ45 DATA CABLE
(OR SEE PIN-OUT BELOW IF MAKING CABLES)

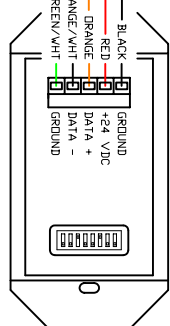
5' FLYING LEAD/BNC POWER CABLE



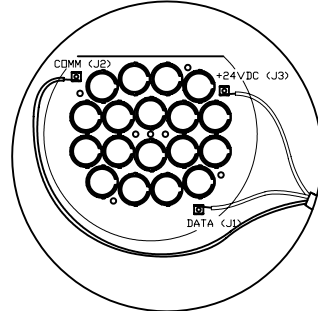
100-240V AC (1A)



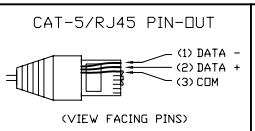
COLORDIAL (BACK VIEW)



DETAIL FOR THE WIRING OF THE DLE C-101



NOTE:
 - USE DMX OUT REPEATER (INSTEAD OF LOOP OUT) ON EVERY 32nd PDS UNIT IN A CHAIN, OR WHEN A DATA CABLE RUN BETWEEN UNITS EXCEEDS 400'. WHEN USING THE DMX OUT REPEATER, PLACE A DATA TERMINATOR IN THE DMX LOOP OUT PORT OF THAT PDS UNIT (SEE ABOVE).



COLOR KINETICS INCORPORATED
 10 MILK STREET, SUITE 1100
 BOSTON, MA 02108
 888 FULL RGB
 617 423 9999
 WWW.COLORKINETICS.COM

FULL SPECTRUM DIGITAL LIGHTING

TITLE: SYSTEM WIRING DIAGRAM (TYP)	DATE:
PRODUCTS: DLE C-101/PDS-150e/COLORDIAL/PS-60	DWG. BY: TC
	SCALE: NTS
	REV:
	PAGE: 1 OF 1