



Date: \_\_\_\_\_  
Type: \_\_\_\_\_  
Firm Name: \_\_\_\_\_  
Project: \_\_\_\_\_



# Philips ActiveSite

## Controller

Remotely monitor and manage dynamic architectural LED lighting systems with cloud-hosted connected lighting software

Philips ActiveSite is a cloud-hosted software as a service (SaaS) system that enables remote monitoring, management, and maintenance of Color Kinetics LED lighting installations. Philips ActiveSite protects your brand and lighting system investments by ensuring optimal lighting system performance. Philips ActiveSite connects luminaires, controllers, and data to customers in unprecedented new ways. This connected solution provides an array of features that enable facility managers, lighting designers, and field service personnel to perform their roles more quickly and easily. This first of its kind solution in the architectural lighting industry ensures customers can enhance their brand image and enjoy peace of mind.

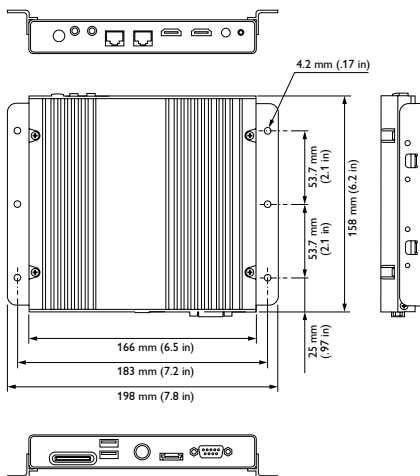
# Philips ActiveSite

## Remotely monitor and manage dynamic architectural LED lighting systems with cloud-hosted connected lighting software

- Monitor System Performance—Using rules configured specifically for your installation site, Philips ActiveSite generates alerts that inform you about system warning signs and individual component failures.
- Refresh content remotely—Remote access allows lighting programmers to update or change lighting effects without being onsite.
- Centralized control—Control multiple installation sites, from anywhere in the world, using a single dashboard.
- Data log storage—System data logs are stored on the ActiveSite Gateway, providing convenient access to data and information.
- Data Analytics—Using historical analysis generate charts and reports that offer unprecedented insight into system operations.
- Remote troubleshooting and diagnosis—Qualified field service personnel can remotely access your system and quickly take action on system alerts to assist with troubleshooting.
- Seamless updates—Philips ActiveSite harnesses the power of cloud technology to provide automatic software updates, reducing maintenance downtime associated with system upkeep.
- Reduce maintenance and installation costs—With no software to install or servers to buy and maintain, the cloud-based Philips ActiveSite software platform lowers your overall costs.
- Secure connectivity—Encrypted HTTPS communication between the web browser, Philips ActiveSite Server, and ActiveSite Gateway. Underlying SSL/TLS technology uses long-term public and secret keys to encrypt data flow between client and server.
- Controller agnostic—Works with industry controllers that support KiNET, providing flexible design options for your lighting designs and installations.

For detailed product information, please refer to [www.colorkinetics.com/global/products/controllers/activesite](http://www.colorkinetics.com/global/products/controllers/activesite)

## Dimensions



# Specifications

Due to continuous improvements and innovations, specifications may change without notice.

Date: \_\_\_\_\_

Type: \_\_\_\_\_

Firm Name: \_\_\_\_\_

Project: \_\_\_\_\_



## Philips ActiveSite Controller

### Electrical

Input Voltage	100 to 240 VAC, auto-switching
Power Consumption	40 W max

### Capability

Network Data	†KiNET Ethernet protocol via standard Ethernet switch
--------------	---

### Philips ActiveSite Software Requirements

Operating Systems	Windows 8/Windows 7/Vista
Memory	4 GB RAM
Supported Browsers	Chrome, Firefox, Internet Explorer
Internet Speed	2 MB per second

† KiNET is the Ethernet lighting protocol from Color Kinetics.

### Physical

Dimensions	166 x 158 x 25 mm (6.5 x 6.2 x 1 in)
Weight	2.4 kg (5.3 lb)
Operating Temperature	0 to 40 °C (23 to 104 °F)
Operating Humidity	0 to 90%, relative humidity, non-condensing
Expansion Slot	Full Size mini Card x 1 Half Size Mini Card x 1 SIM slot x 1
Front Panel I/O	Power Button x1 USB 2.0 Port x2, COM port x1 eSATA port x1, SD slot x1
Rear Panel I/O	DC 19V Jack x1 HDMI x2 RJ45 LAN Jack x2 HD Audio ports (Line out x1, Mic in x1)

### System Processing

CPU	Intel Bay trail series Quad Core CPU
Memory	Dual Channel Mode, support SO-DIMM DDR3Lx2, 1333 MHz, Max memory size 8GB
Graphics	Intel® HD graphic, integrated on CPU
Storage	Support mSATAx1
Audio	Realtek ALC662 HD Audio CODEC
LAN	Realtek RTL8111G x2

### Certification and Safety

Approbations	UL, FCC, CE, RCM, CCC
Environment	Indoor/Dry location



# Part numbers

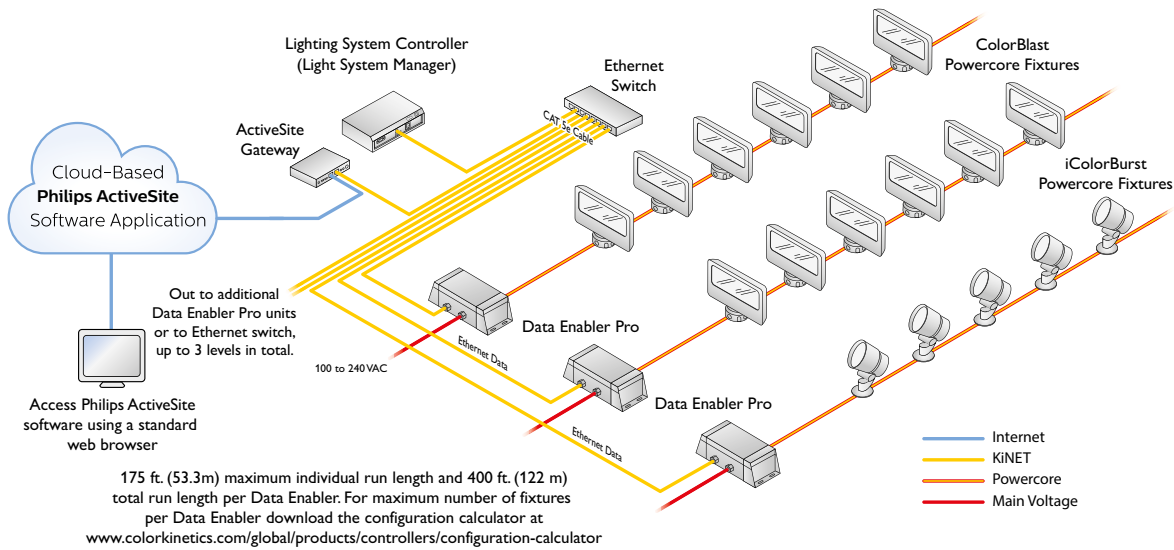
Use Item Number when ordering in North America.

## Controller

Philips ActiveSite ActiveSite Gateway, Power cable (3), (2) Mounting brackets and (4) Mounting screws, Cable clip (1)	Item Number	Philips 12NC
--	-------------	--------------

For more information on Philips ActiveSite, including details on how to order, contact your local Color Kinetics Representative or Color Kinetics System Service Center.

## Installation Example



Connected lighting integrates luminaires with data networks, creating new ways Color Kinetics products transform environments. Connected luminaires share data about their status and operation with the ActiveSite Gateway. The ActiveSite Gateway, a critical component that connects your local KiNET lighting network to a secure cloud-based software application, allows you to access lighting network data and remotely monitor, manage, and maintain each individually connected luminaire. The ActiveSite Gateway uses standard Internet connectivity, for instance, a wired LAN network or 3G modem, to connect with the Philips ActiveSite cloud software application.

