

8

7

6

5

4

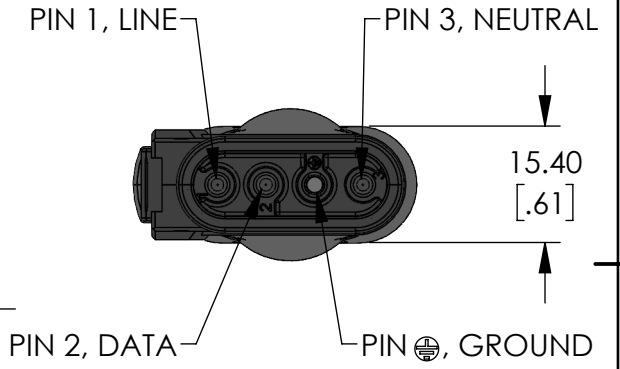
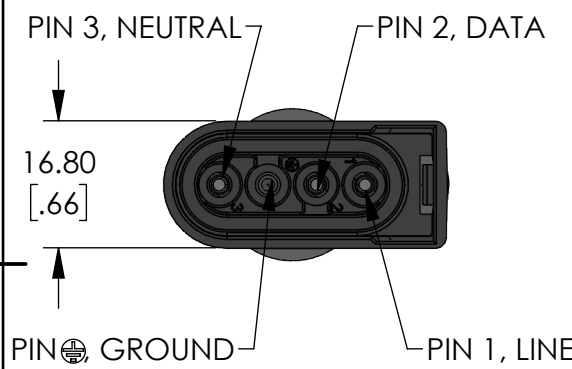
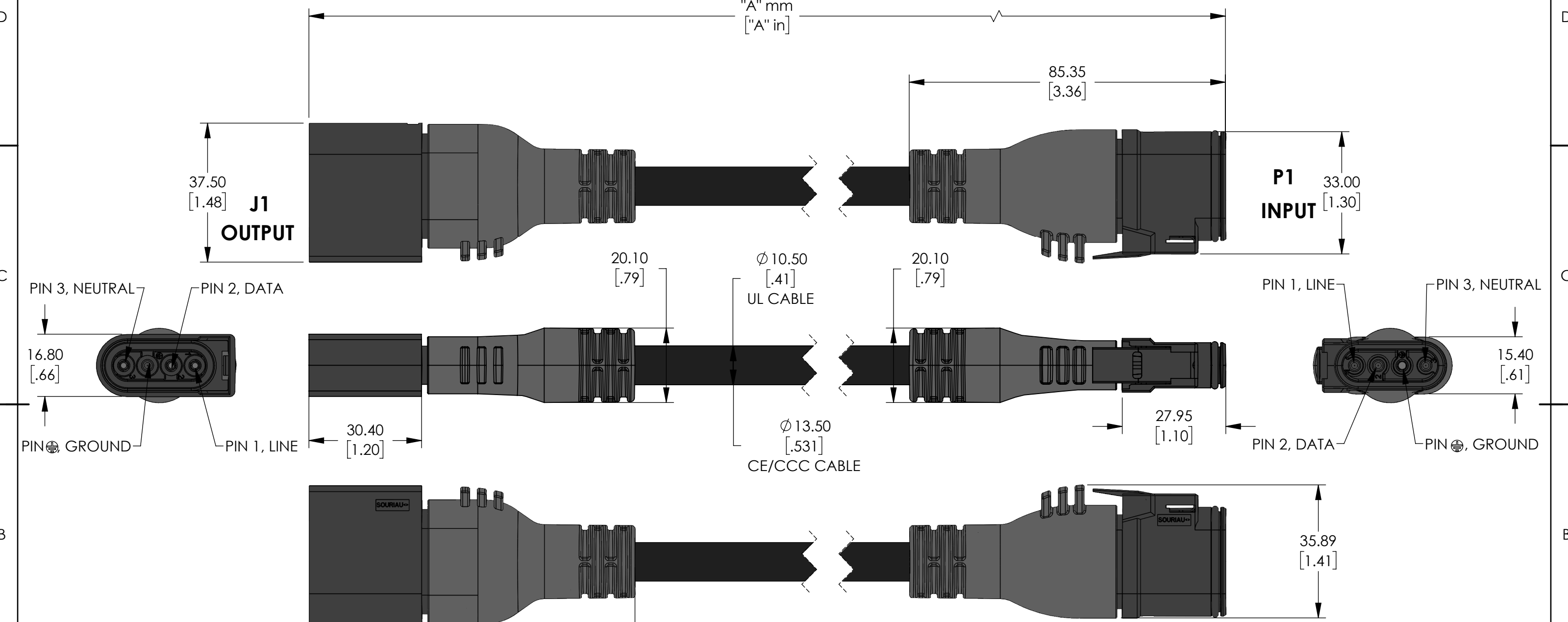
3

2

1

REVISIONS				
REV.	ECO	DESCRIPTION	DATE	APPROVED
00	012976	INITIAL RELEASE	03/30/2020	KP

SEE SHEET 3 FOR SPECIFIC LENGTH TOLERANCES



J1 Pin #	WIRE DIAGRAM		P1 Pin #
	CONDUCTOR COLOR REQUIREMENT		
1 (LINE)	UL BLACK	CE / CCC BROWN	1 (LINE)
2 (DATA)	RED	BLACK	2 (DATA)
3 (NEUTRAL)	WHITE	BLUE	3 (NEUTRAL)
$\oplus$ (GROUND)	GREEN	GREEN/YELLOW	$\oplus$ (GROUND)

**PROPRIETARY AND CONFIDENTIAL**  
THE INFORMATION CONTAINED IN THIS DRAWING IS THE SOLE PROPERTY OF COLOR KINETICS, INC. ANY REPRODUCTION IN PART OR AS A WHOLE WITHOUT THE WRITTEN PERMISSION OF COLOR KINETICS, INC. IS PROHIBITED.

**COLORKINETICS**  
www.colorkinetics.com  
3 Burlington Woods Dr. Burlington MA 01803 USA  
Tel: 888-385-5742 Fax: 617-338-0454

MATERIAL	SEE NOTES
FINISH	SEE NOTES
DRAWN	DATE
CHECKED	DATE
	2018-01-03

- UNLESS OTHERWISE SPECIFIED -  
DIMENSIONS ARE IN MILLIMETERS  
INTERPRET GEOMETRIC TOLERANCING PER: ANSI Y14.5M  
TOLERANCES:  
DECIMAL  
.X ±0.5 mm  
.XX ±0.25 mm  
.XXX ±0.125 mm  
ANGLE ±1°  
THIRD ANGLE PROJECTION

DESCRIPTION  
**PRODUCT DOCUMENT DRAWING, GRAZE COMPACT, JUMPER CABLE**

SIZE DWG. NO.	REV
<b>B PDD-000168-00</b>	<b>00</b>
FILE NAME	DO NOT SCALE DRAWING
SCALE NTS	SHEET 1 OF 3

8

7

6

5

4

3

2

1

8

7

6

5

4

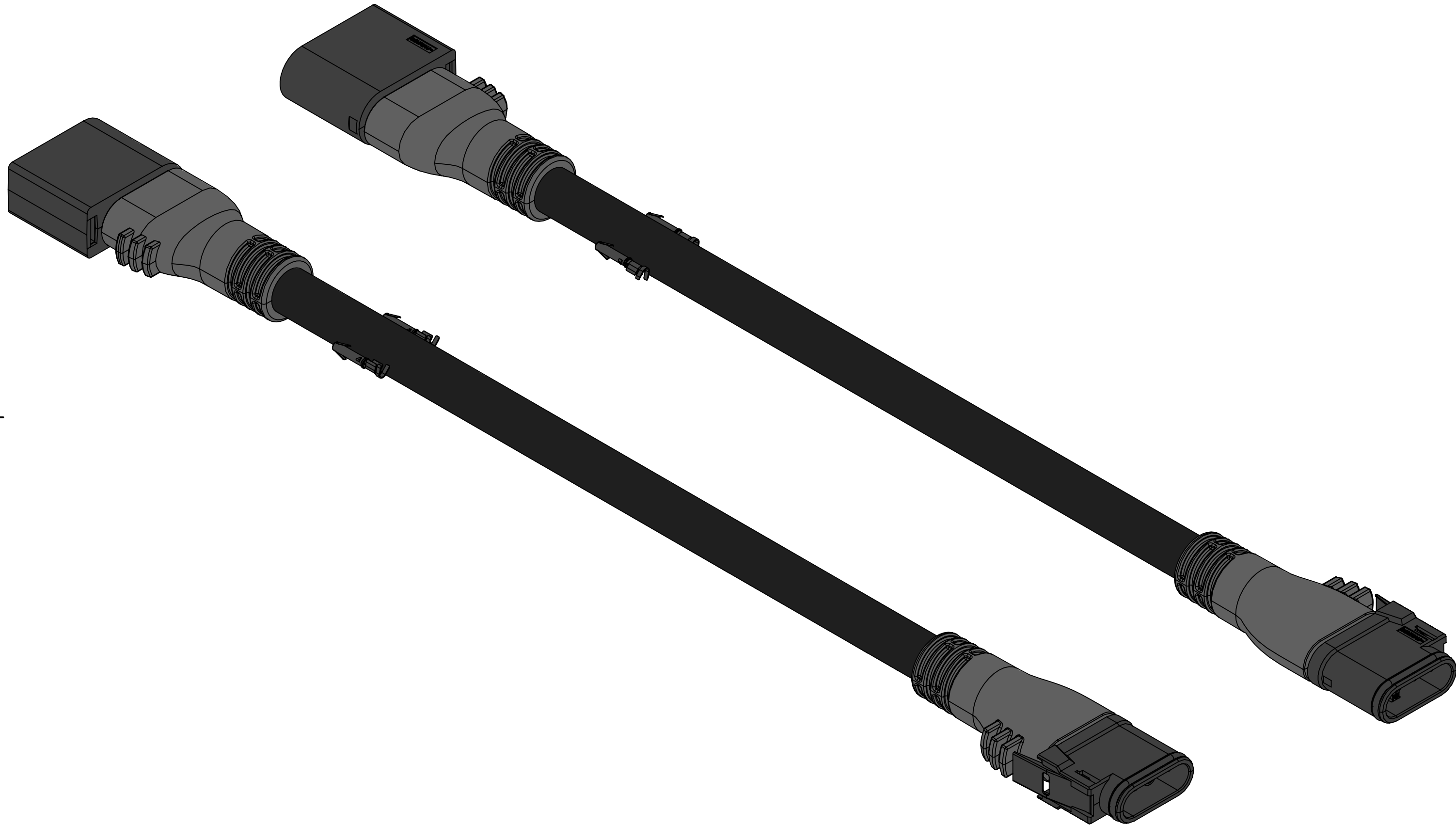
3

2

1

PROPRIETARY AND CONFIDENTIAL

THE INFORMATION CONTAINED IN THIS DRAWING IS THE SOLE PROPERTY OF COLOR KINETICS, INC. ANY REPRODUCTION IN PART OR AS A WHOLE WITHOUT THE WRITTEN PERMISSION OF COLOR KINETICS, INC. IS PROHIBITED.



DESCRIPTION  
**PRODUCT DOCUMENT DRAWING,  
 GRAZE COMPACT, JUMPER  
 CABLE**

SIZE	DWG. NO.	REV
<b>B</b>	<b>PDD-000168-00</b>	<b>00</b>
FILE NAME	DO NOT SCALE DRAWING	SCALE
	NTS	SHEET 2 OF 3

8

7

6

5

4

3

2

1

8

7

6

5

4

3

2

1

**PROPRIETARY AND CONFIDENTIAL**

THE INFORMATION CONTAINED IN THIS DRAWING IS THE SOLE PROPERTY OF COLOR KINETICS, INC. ANY REPRODUCTION IN PART OR AS A WHOLE WITHOUT THE WRITTEN PERMISSION OF COLOR KINETICS, INC. IS PROHIBITED.

**JUMPER CABLE TABLE-STANDARD SKU**

<b>CABLE ASSEMBLY P/N</b>	<b>DESCRIPTION</b>	<b>"A" - ACTUAL LENGTH</b>	<b>TOLERANCE</b>
108-000073-00	GRAZE COMPACT POWERCORE JUMPER CABLE, 305mm (1FT), BLACK, UL	322.5mm [12.7"]	+10mm
108-000073-02	GRAZE COMPACT POWERCORE JUMPER CABLE, 1.5m (5FT), BLACK, UL	1.542 m [60.7" ]	+20mm
108-000073-04	GRAZE COMPACT POWERCORE JUMPER CABLE, 3m (10FT), BLACK, UL	3.066 m [120.7"]	+45 -0mm
108-000073-06	GRAZE COMPACT POWERCORE JUMPER CABLE, 6.1m (20FT), BLACK, UL	6.132 m [240.7"]	+120 -0mm
108-000073-08	GRAZE COMPACT POWERCORE JUMPER CABLE, 9.1m (30FT), BLACK, UL	9.197 m [360.7"]	+150 -0mm
108-000073-001	GRAZE COMPACT POWERCORE JUMPER CABLE, 305mm (1FT), BLACK, CE/CQC	322.5mm [12.7"]	+10mm
108-000073-03	GRAZE COMPACT POWERCORE JUMPER CABLE, 1.5m (5FT), BLACK, CE/CQC	1.542 m [60.7" ]	+20mm
108-000073-05	GRAZE COMPACT POWERCORE JUMPER CABLE, 3m (10FT), BLACK, CE/CQC	3.066 m [120.7"]	+45 -0mm
108-000073-07	GRAZE COMPACT POWERCORE JUMPER CABLE, 6.1m (20FT), BLACK, CE/CQC	6.132 m [240.7"]	+120 -0mm
108-000073-09	GRAZE COMPACT POWERCORE JUMPER CABLE, 9.1m (30FT), BLACK, CE/CQC	9.197 m [360.7"]	+150 -0mm



DESCRIPTION  
**PRODUCT DOCUMENT DRAWING,  
 GRAZE COMPACT, JUMPER  
 CABLE**

SIZE	DWG. NO.	REV
<b>B</b>	<b>PDD-000168-00</b>	<b>00</b>
FILE NAME	DO NOT SCALE DRAWING	SHEET 3 OF 3
	SCALE NTS	

8

7

6

5

4

3

2

1